



**CLIQUE E FAÇA  
SEU ORÇAMENTO !**



**CHARDON**  
GROUP

**MPJ**

[www.mediatensao.com.br](http://www.mediatensao.com.br)

# 200A/600A 15kV/25kV/35kV Multi Point Junction



[www.chardongroup.com](http://www.chardongroup.com)

## APPLICATION

Chardon 4" interface spacing multi-point junctions are available in 2,3,4,5 or 6 point configurations with 15,25 and 35 kV ratings. The junction's design can eliminate or minimize the requirement for 200 A taps on 600 A T-bodies, and provide ideal solutions for limited space installations. The EPDM molded body with corrosion resistant stainless steel bracket is fully shielded, deadfront and

submersible. Chardon multi-point junctions provide a convenient, compact design for connecting, looping and taping of 600A and 200A T-bodies, elbows and other accessories at a common location where flexibility and operability are important. The products are ideally suited for subsurface, padmount, indoor and outdoor vault applications.

## PRODUCTION TESTS

### Voltage Ratings and Characteristics

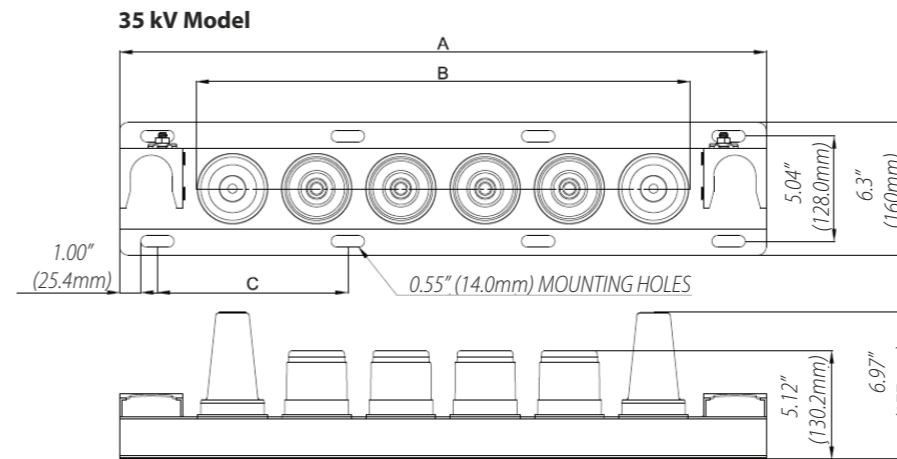
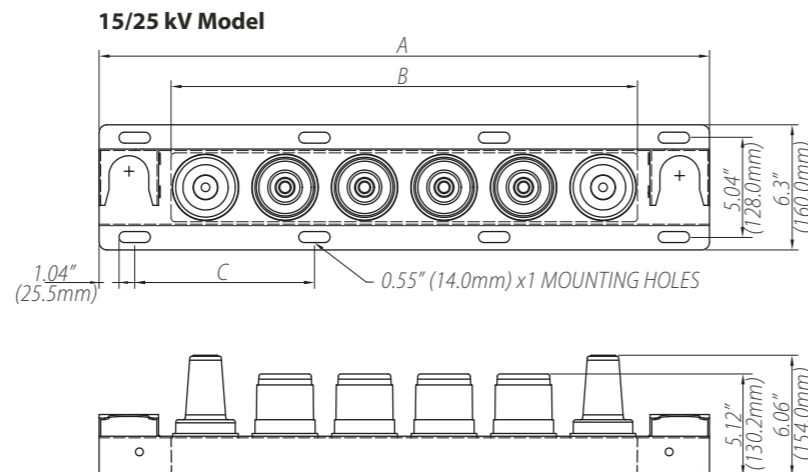
Description	15/25kV Model	35kV Model
Max. Rating Phase to Ground	15.2 kV	21.1 kV
AC 1 Minute Withstand	40 kV	50 kV
DC 15 Minute Withstand	78 kV	103 kV
BIL and Full Wave Crest	125 kV	150 kV
Minimum Corona Voltage Level	21.5 kV (3pc)	26 kV (3pc)

### Current Ratings and Characteristics

Description	Amperes
Continuous	600 A rms
Overload Shot Time	<ul style="list-style-type: none"> <li>• 25,000 A rms symmetrical for 0.17s</li> <li>• 10,000 A rms symmetrical for 3.0s</li> </ul>

## DIMENSIONAL INFORMATION

Type of Junction	J3	J4	J5	J6
A	18.7" (475.2mm)	22.7" (576.8mm)	26.7" (678.4mm)	30.7" (780mm)
B	11.46" (291.2mm)	15.46" (392.8mm)	19.47" (494.6mm)	23.46" (596mm)
C	8" (203.2mm)	10" (254mm)	12" (304.8mm)	9-3/8" (238.1mm)
Number of mounting holes	6	6	6	8



## ORDERING INFORMATION

MPJ	"X"	"Y"	"Z"	"B"
-----	-----	-----	-----	-----

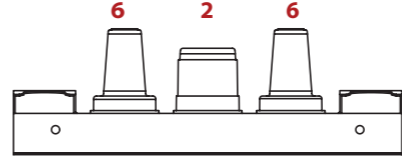
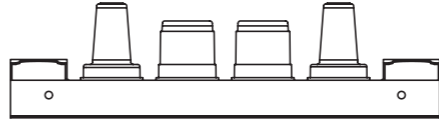
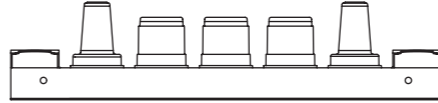
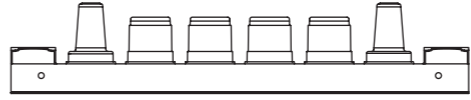
"X" = Enter the number of the points.

"Y" = Enter the interface identification and positioning. See interface identification table below.

"Z" = Enter Voltage Class (Select 15/25 or 35)

"B" = Enter BKT for a standard Chardon stainless steel bracket, enter ABKT for an adjustable bracket or leave it blank if only a molded junction is required.

### Ordering Example

Interface Identification	Description	Voltage Class	Chardon Cat. No.
 (MPJ3-626-15/25BKT shown)	3-point Junction	15/25kV	MPJ3-___-15/25
 (MPJ4-6226-15/25BKT shown)	4-point Junction	15/25kV	MPJ4-___-15/25
 (MPJ5-62226-15/25BKT shown)	5-point Junction	15/25kV	MPJ5-___-15/25
 (MPJ6-622226-15/25BKT shown)	6-point Junction	15/25kV	MPJ6-___-15/25



**CHARDON TAIWAN CORPORATION**

No.37 Min-Chie Road, Tung Lo  
Industrial Park, Miao Li, Taiwan 366

Tel : +886-37-984385

Fax : +886-37-984770

[www.chardongroup.com](http://www.chardongroup.com) • [info@chardongroup.com](mailto:info@chardongroup.com)