



**35-LPFT200**  
[www.mediatensao.com.br](http://www.mediatensao.com.br)

## **200A, 35 kV Class Loadbreak Portable Feed Thru**



## APPLICATION

The Chardon 200A, 35kV Class Loadbreak Portable Feed Thru is designed to be installed on a parking stand, attached to a transformer or other apparatus. Two bushing insert loadbreak interfaces can be mated with an elbow arrester, a loadbreak elbow, or an insulated cap. When mated with other products that meets IEEE Standard 386, the portable feed thru provides a fully shielded, submersible connection for loadbreak operation.

The Chardon Portable Feed Thru meets all the requirements of IEEE Standard 386, and is fully interchangeable with competitor's products and mating products that also meet IEEE Standard 386. The indicating ring design eliminates the guesswork of loadbreak installation, it provides feedback to determine if the elbow is properly installed.

## PRODUCTION TESTS

Tests conducted in accordance with IEEE/ANSI Standard 386.

- Minimum Corona Voltage Level – 26 kV
- AC 1 Minute Withstand – 50 kV

Tests conducted in accordance with Chardon manufacturing process requirements:

- Physical Inspection
- Periodic Dissection
- Periodic X-ray Analysis

## VOLTAGE RATINGS

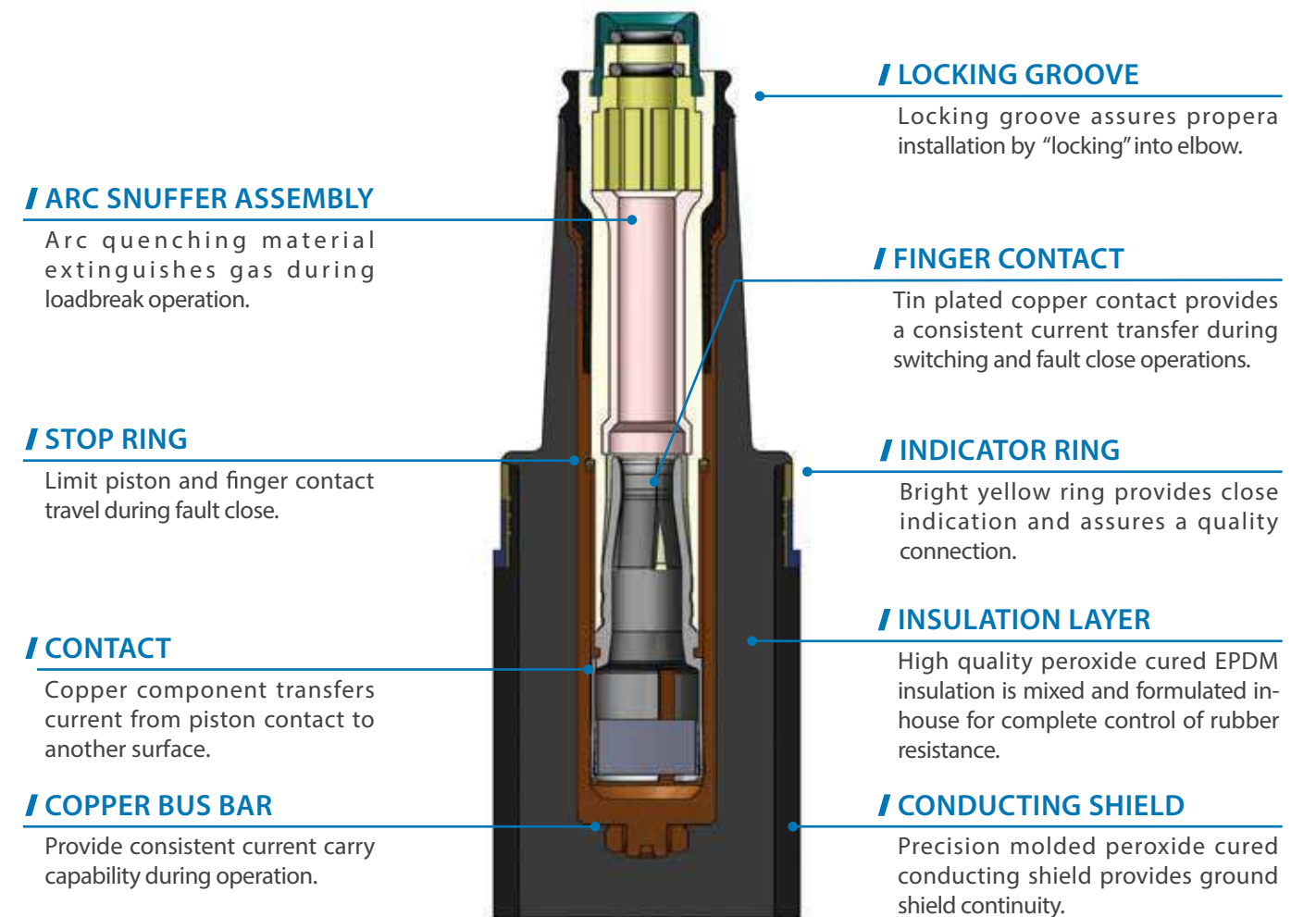
Voltage Class	35 kV
Max. Rating Phase to Phase	36.6 kV
Max. Rating Phase to Ground	21.1 kV
AC 1 Minute Withstand	50 kV
DC 15 Minute Withstand	103 kV
BIL and Full Wave Crest	150 kV
Minimum Corona Voltage Level	26 kV

• 35LPFT200-062123-REV01

## CURRENT RATINGS

Description	Test Parameters
Continuous	200 amps rms
Switching	10 operations at 200 amps rms at 36.3 kV
Fault Close	10,000 amps rms symmetrical at 36.6 kV for 0.17 s after 10 consecutive successful switching operations
Short Time	• 10,000 amps rms symmetrical for 0.17 s • 3,500 amps rms symmetrical for 3.0 s

## DETAILED COMPOSITION OF THE CHARDON LOADBREAK PORTABLE FEED THRU



## ORDERING INFORMATION

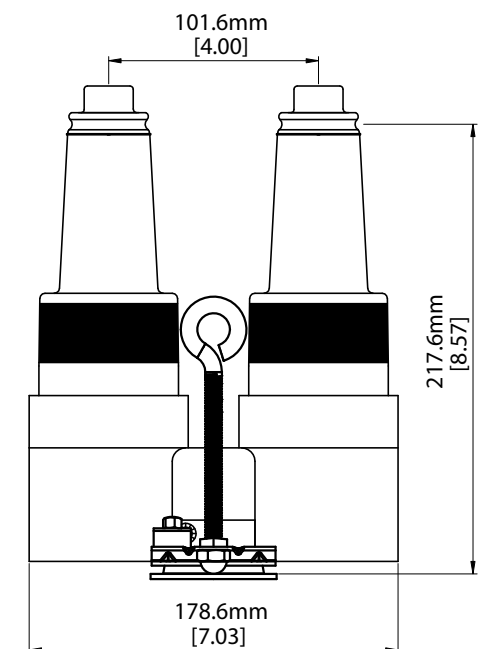
Each Portable Feed Thru kit includes the following:

- Portable Feed Thru
- Shipping Cap (not for energized operation)
- Stainless Steel Bail Assembly
- Installation Instruction Sheet

To order the 35kV Class Portable Feed Thru Kit, use the P/N below:

**35kV Loadbreak  
Portable Feed Thru**

35-LPFT200







**CHARDON TAIWAN CORPORATION**

No.37 Min-Chie Road, Tung Lo  
Industrial Park, Miao Li, Taiwan 366

Tel : +886-37-984385

Fax : +886-37-984770

[www.chardongroup.com](http://www.chardongroup.com) • [info@chardongroup.com](mailto:info@chardongroup.com)